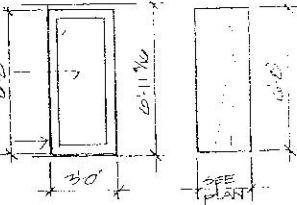


ROOF FINISHES

- RAY TEXTURED FINISH - PAINT FLAT LATEX.
- RAY TEXTURED FINISH - PAINT SEMI-GLOSS LATEX.
- PAINTED
- CARPETED THROUGHOUT WITH OAK BASE.
- ON TO BE EXPOSED CONC FLOOR
- BASE
- VE CERAMIC TILE FLOOR & BASE.

5/8" INSUL BRONZE TINTED REFL GLASS TO MATCH WINDOWS

PAINT FRAME TO MATCH WINDOWS

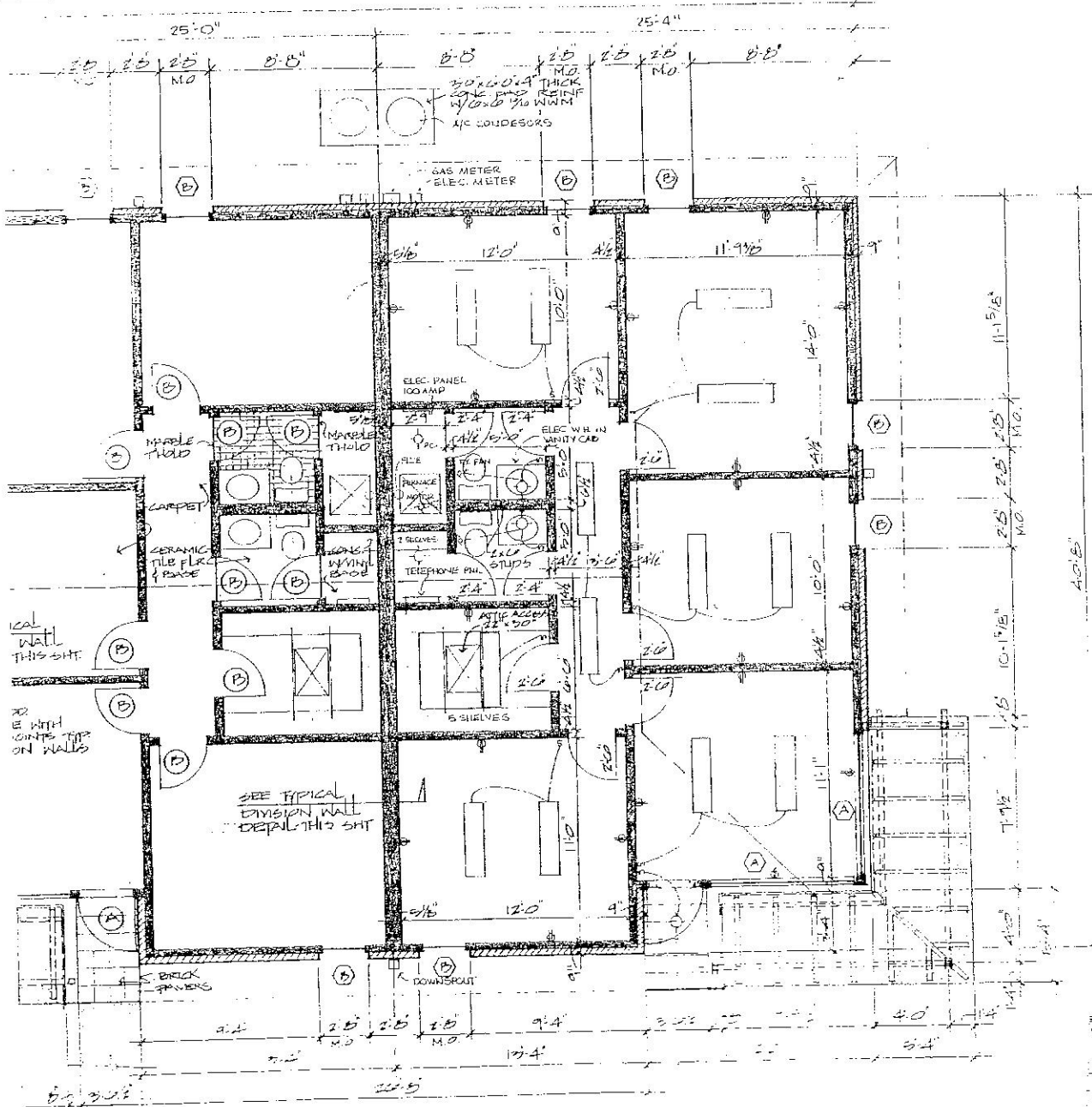


INSUL U.M. COMPLETE WITH FRAME THRESHOLD, WEATHERSTRIP & PRESHLING IN FRAME

SOLID CORE OAK VENEER WOOD DOOR - STAINED

TYPICAL DOORS
14'-1-0"

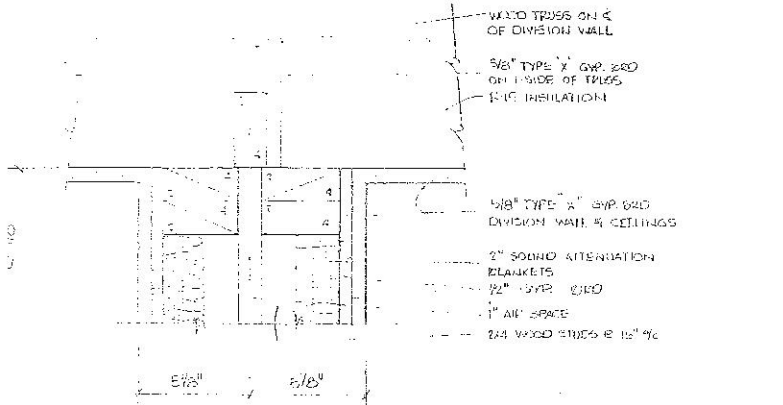
TYPICAL WINDOWS
14'-1-0"



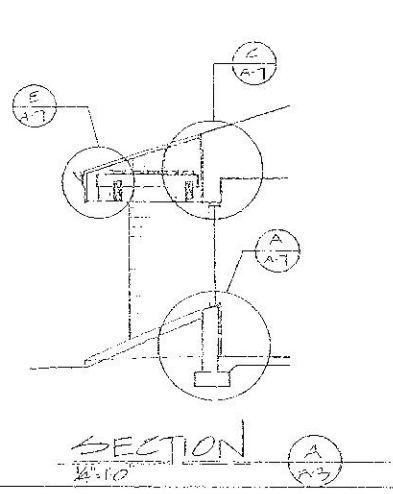
Floor Plan

BUILDING & SCANN OTHERS SIMILAR.

NORTH FULTON EXECUTIVE SQUARE
 GEORGIA
 WILLY

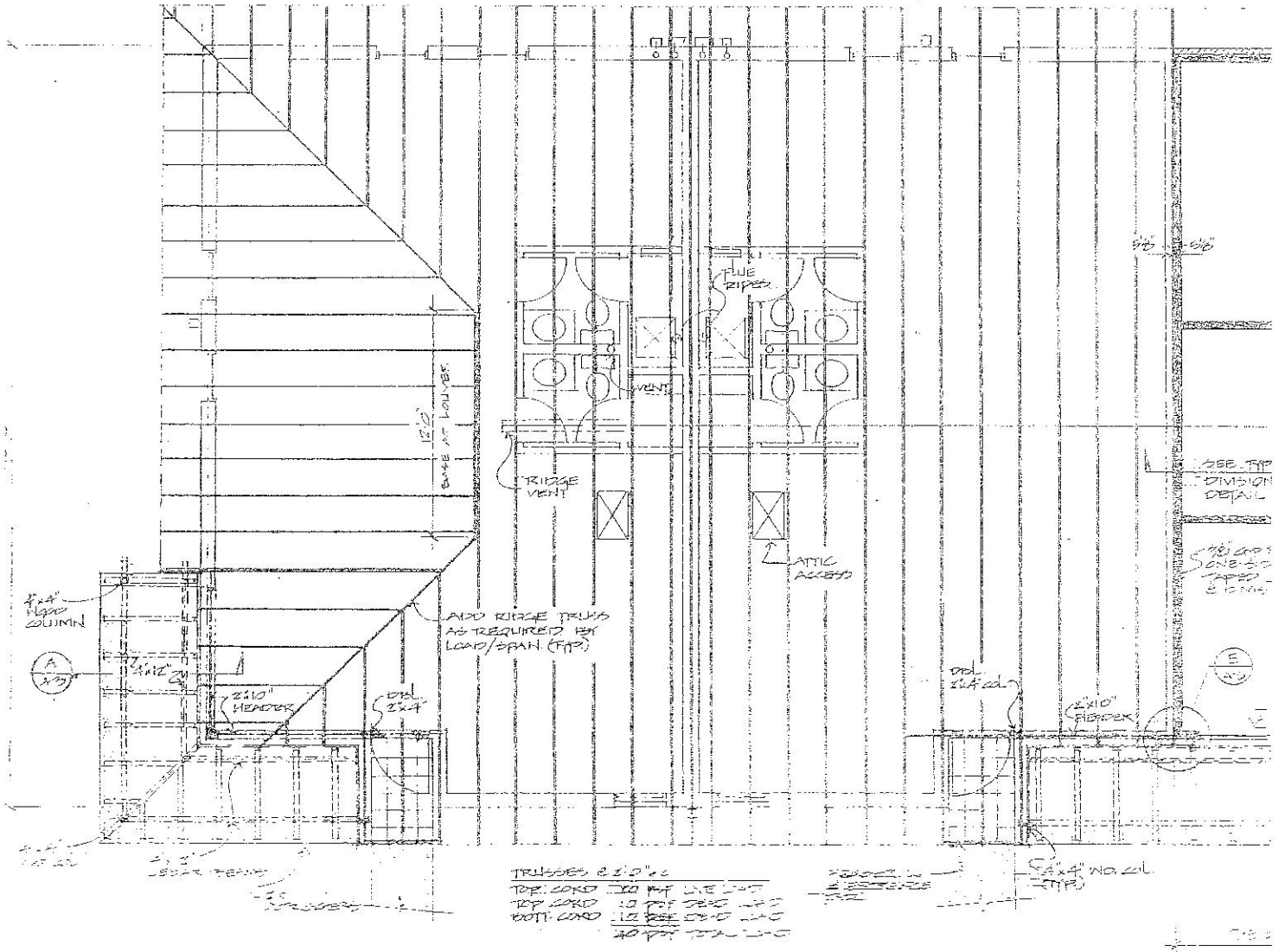
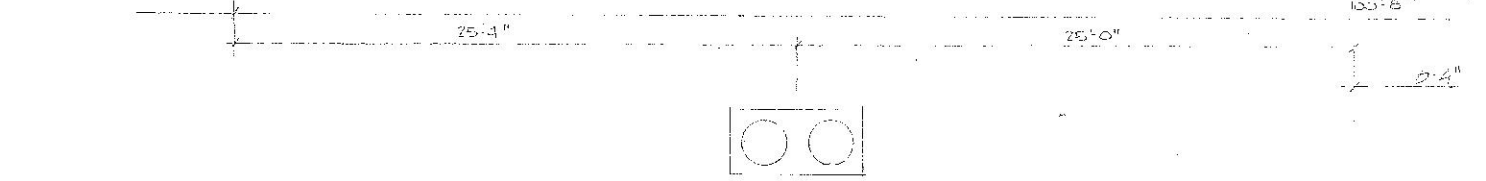


TYPICAL DIVISION WALL DETAIL (1-HOUR RATED)



SECTION

TYPICAL
CEILING
DETAIL
TRUSS ON C
OF DIVISION WALL
5/8\"/>



TRUSSES 2x10 @ 24\"/>

TOP CHORD	1x10 @ 24\"/>
MID CHORD	1x10 @ 24\"/>
BOTTOM CHORD	1x10 @ 24\"/>

SEE TYP
DIVISION
DETAIL

5/8\"/>

2x10
HEADERS

2x10
FLOOR

2x10 NO. 2
(TYP)