



**HP-8160**  
**HORIZONTAL OPEN-END BALER**

**PARTS MANUAL**

HARRIS WASTE MANAGEMENT GROUP, INC.  
340 JEKYLL ROAD  
BAXLEY, GA. U.S.A. 31513  
(800)447-3526

Serial No. 70758

# **IMPORTANT SERVICE INFORMATION**

**Each baler installation is unique. Balers are tailored to meet specific requirements. The following information is important to ensure you get the correct information about a particular baler installation.**

**Model Number: HP-8160**

**Serial Number: 70758**

These drawings should be readily accessible. They will be used for reference information throughout this manual.

**General Assembly: 70758GA**

**Hydraulic Number: 112998**

**Electrical Number: 112997**

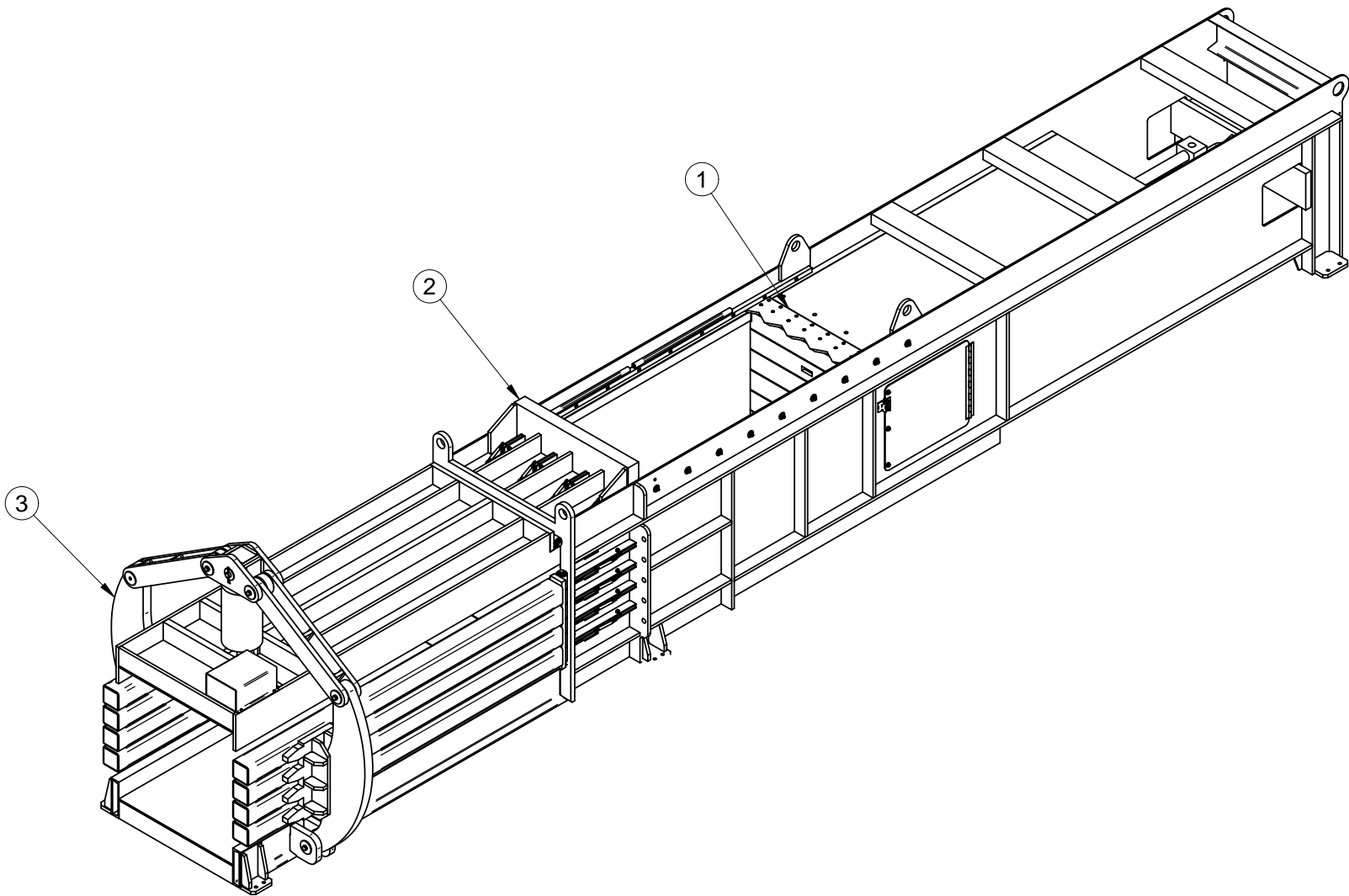
# Table of Contents

SAFETY EQUIPMENT AND REFERENCE MATERIAL .....	1
HP-8160 ASSEMBLY .....	3
MAIN FRAME FLOOR LINER .....	5
MAIN FRAM SIDE WALL LINER .....	7
PLATEN ASSEMBLY .....	9
SINGLE TENSION ASSEMBLY .....	11
SHEAR BEAM ASSEMBLY .....	13
DOG AND LASER ASSEMBLY .....	15
HOLDDOWN ASSEMBLY .....	17
HOPPER AND WIPER ASSEMBLY .....	19
BALE COUNTER ASSEMBLY .....	21
INSERTER ASSEMBLY .....	23
TWISTER ASSEMBLY .....	25
200HP HYDRAULIC POWER UNIT .....	27
PUMP/MOTOR GROUP.....	29
200HP HYDRAULIC MANIFOLD .....	31
MAIN HYDRAULIC CYLINDER.....	33
10" SINGLE TENSION CYLINDER.....	35
MAIN CONTROL PANEL ASSEMBLY .....	37
OPERATOR CONSOLE .....	39
RECOMMENDED SPARE PARTS .....	41

**THIS PAGE INTENTIONALLY LEFT BLANK**

**SAFETY EQUIPMENT AND REFERENCE MATERIAL**

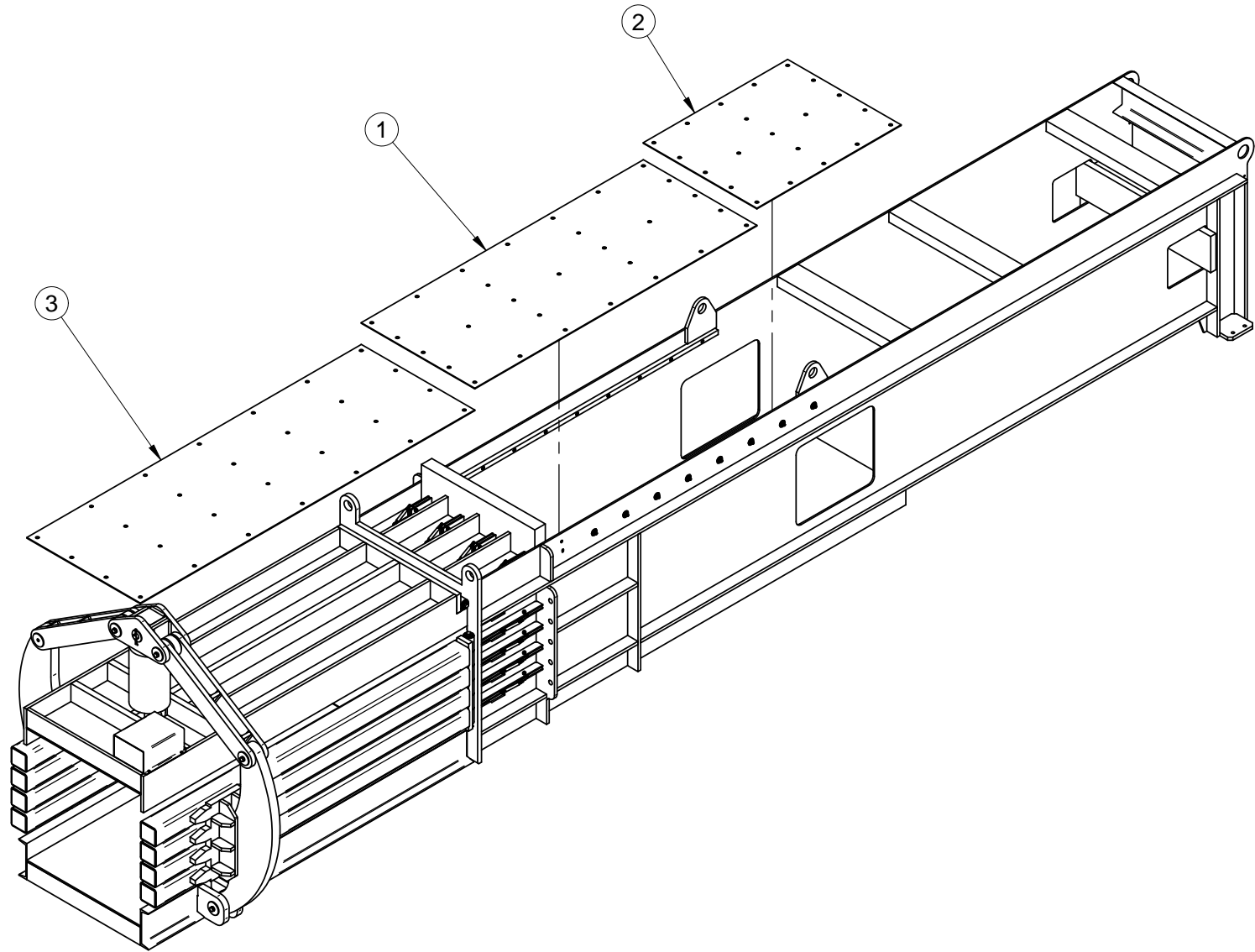
<b>Harris Part Number</b>	<b>Description</b>
868432	Main breaker lock
1000012911A	Safety decal kit
70758	Part manual



**HP-8160 ASSEMBLY**

## HP-8160 ASSEMBLY

<b>Item</b>	<b>Qty</b>	<b>Harris Part Number</b>	<b>Description</b>
1	1	1000014869	Platen
2	1	1000011568	Shear Beam
3	1	1000011569	Single tension unit

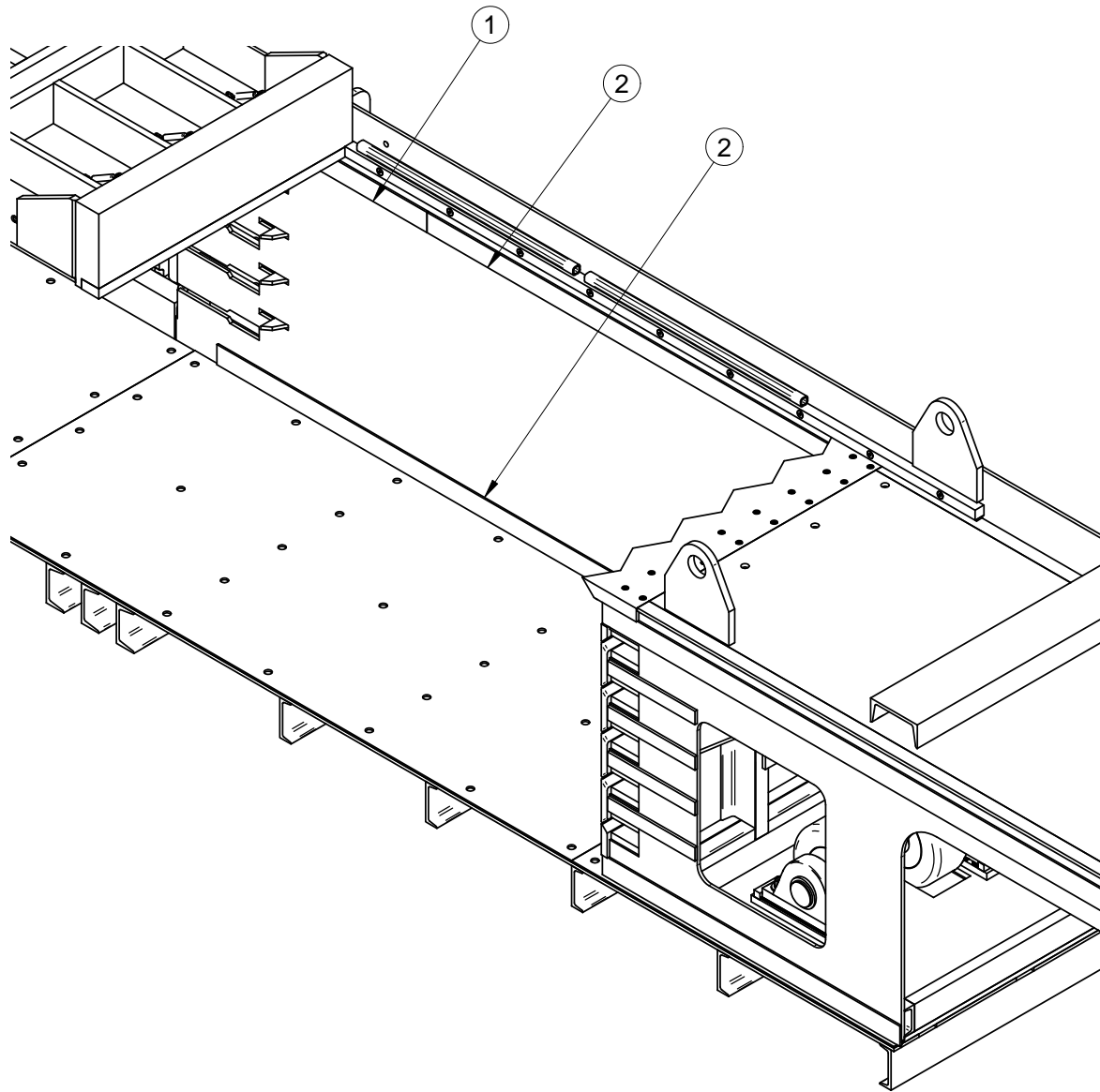


**HP-8160 FRAME FLOOR LINER**



## PARTS LIST FOR HP-8160 FRAME FLOOR LINER

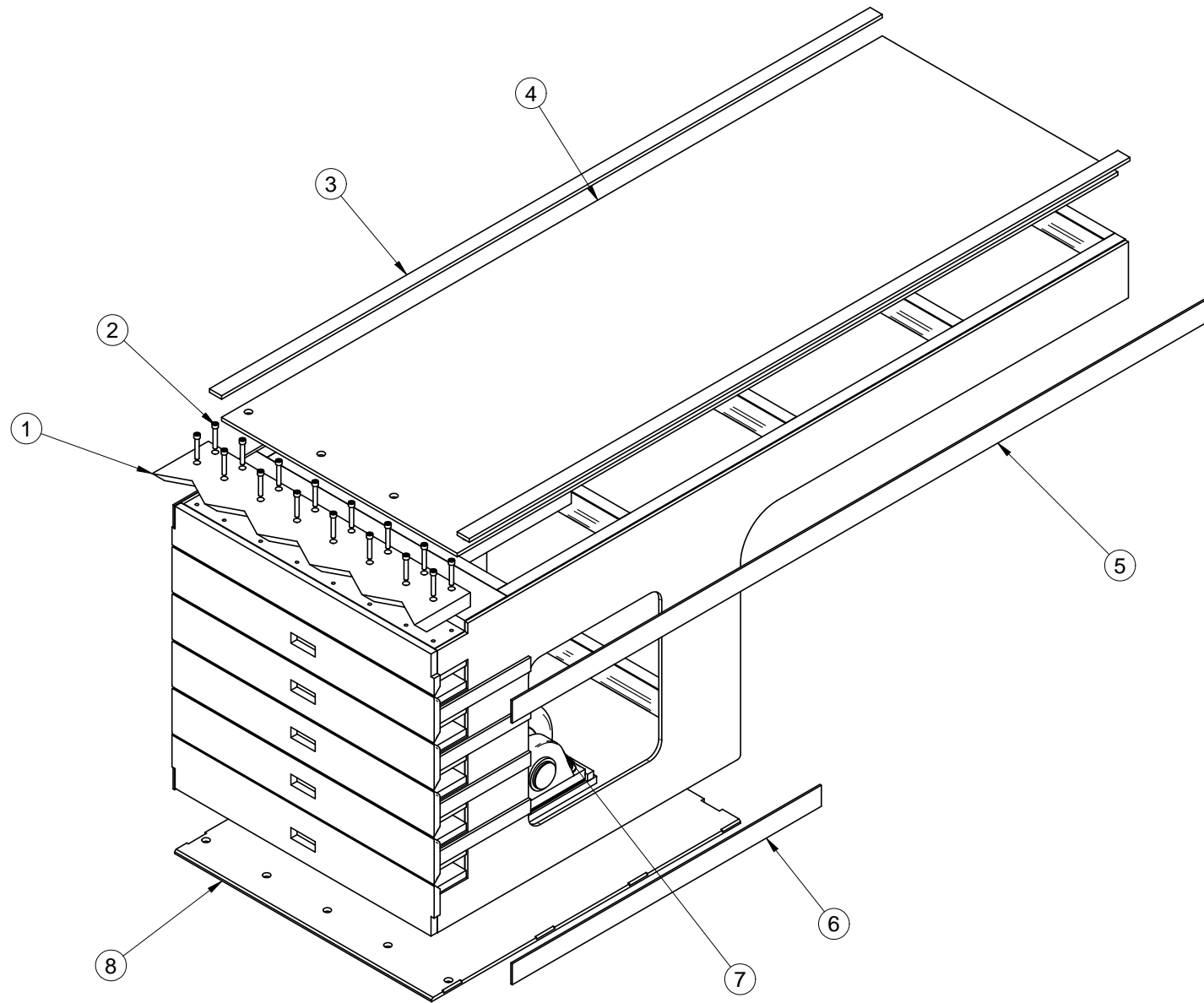
<b>Item</b>	<b>Qty</b>	<b>Harris Part Number</b>	<b>Description</b>
1	1	1000012665	Front floor liner
2	1	1000012686	Rear floor liner
3	1	1000014966	Bale chamber floor liner



**HP-8160 FRAME SIDE WALL LINER**

**PARTS LIST FOR HP-8160 FRAME SIDE WALL LINER**

<b>Item</b>	<b>Qty</b>	<b>Harris Part Number</b>	<b>Description</b>
1	2	510015.03600.00300	Front top side wall liner
2	4	510015.16000.00300	Side wall liner

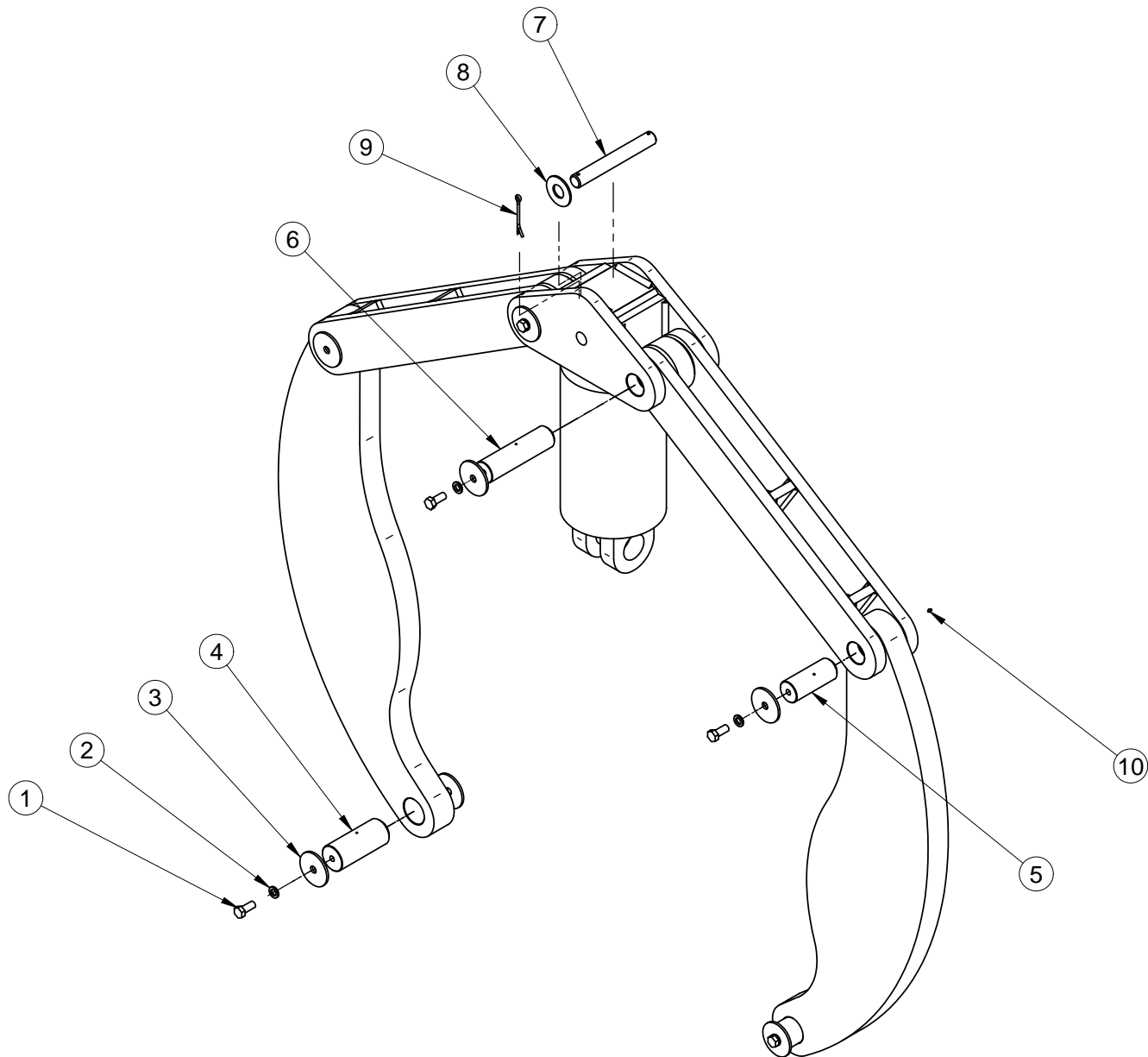


**HP-8160 PLATEN ASSEMBLY**

## PARTS LIST FOR HP-8160 PLATEN ASSEMBLY

Item	Qty	Harris Part Number	Description
1	1	1000013987	Platen knife
2	16	869074	Platen knife bolt
3	2	510012.10900.00200	Top strip liner
4	1	1000014864	Top liner
5	2	510015.11500.00325	Side top liner
6	2	510015.05100.00300	Side bottom liner
7	1	D40559A	Roller assembly
8	1	1000013197	Bottom liner

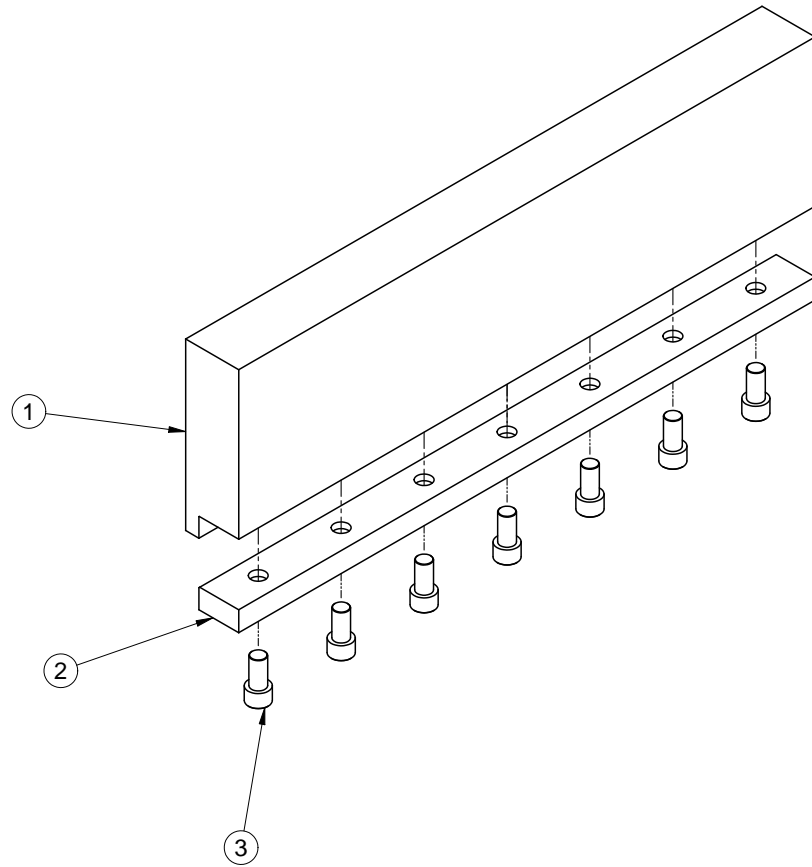




**HP-8160 SINGLE TENSION UNIT ASSEMBLY**

## PARTS LIST FOR HP-8160 SINGLE TENSION UNIT ASSEMBLY

Item	Qty	Harris Part Number	Description
1	6	802481	HHCS 3/4-10 x 1 3/4
2	6	805063	3/4 lock washer
3	12	1000010188	Pin keeper plate
4	2	1000010748	Pin
5	2	1000010170	Pin
6	2	1000010172	Pin
7	1	1000007896	Pin
8	2	101519002	1 1/2 flat washer
9	2	869746	Cotter pin
10	6	871325	Grease fitting



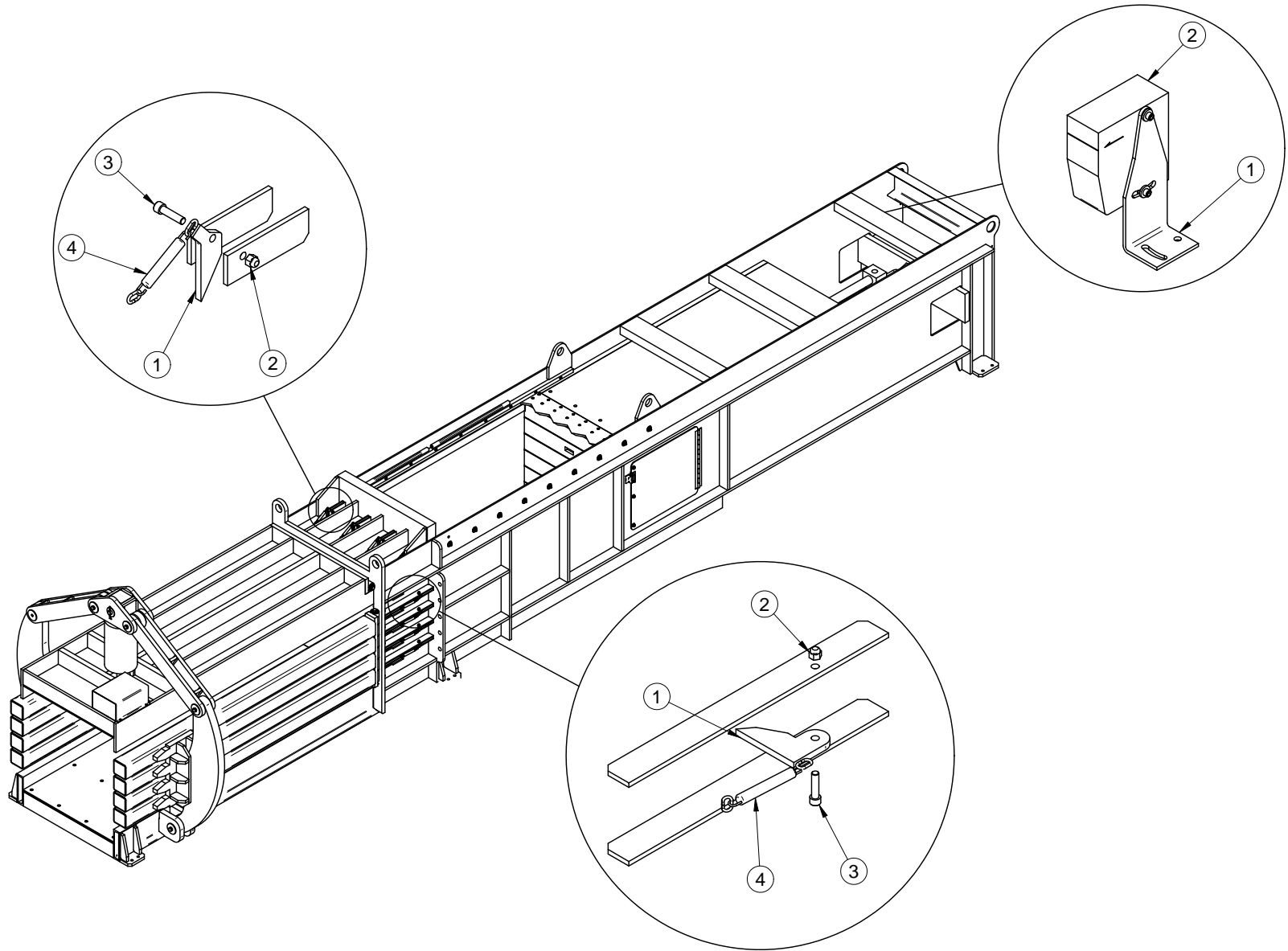
**HP-8160 SHEAR BEAM ASSEMBLY**



## PARTS LIST FOR HP-8160 SHEAR BEAM ASSEMBLY

Item	Qty	Harris Part Number	Description
1	1	1000011553	Shear beam
2	1	1000011552	Shear beam knife
3	7	818025	SHCS 1-8 x 2





## DOG AND LASER ASSEMBLIES

### PARTS LIST FOR TOP DOG ASSEMBLY

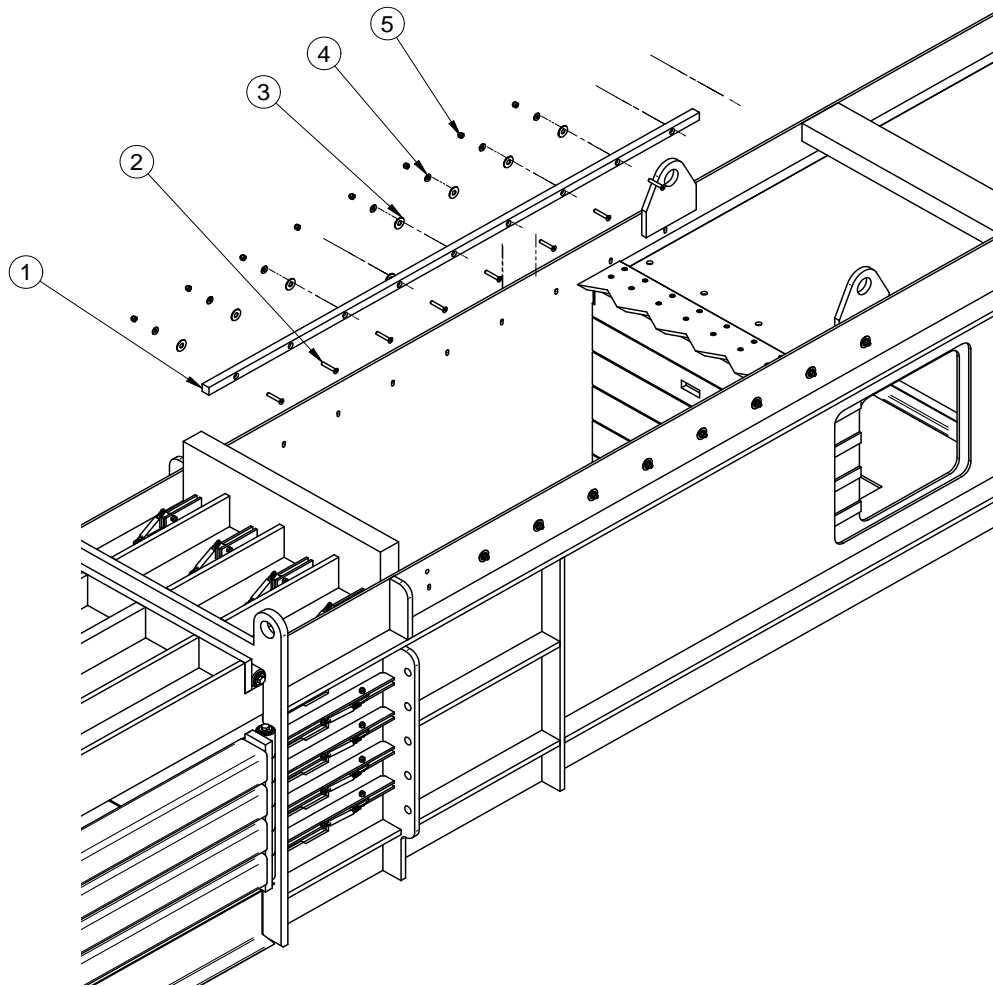
Item	Qty	Harris Part Number	Description
1	4	1000005868	Top dog
2	4	804418	1/2 lock nut
3	4	809535	SHCS 1/2-13 x 2
4	4	860354	Spring

### PARTS LIST FOR SIDE DOG ASSEMBLY

Item	Qty	Harris Part Number	Description
1	8	1000008774	Side dog
2	8	804418	1/2 lock nut
3	8	809535	SHCS 1/2-13 x 2
4	8	860354	Spring

### PARTS LIST FOR LASER MOUNT ASSEMBLY

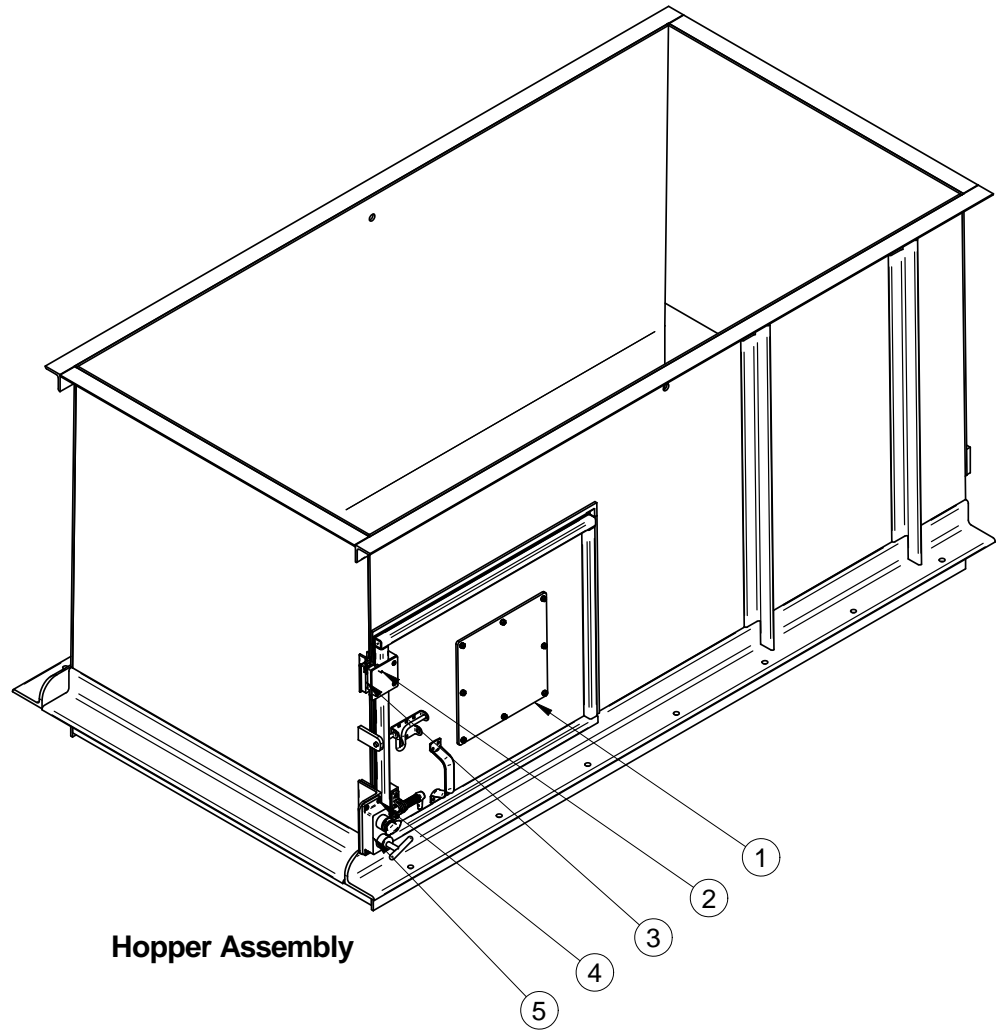
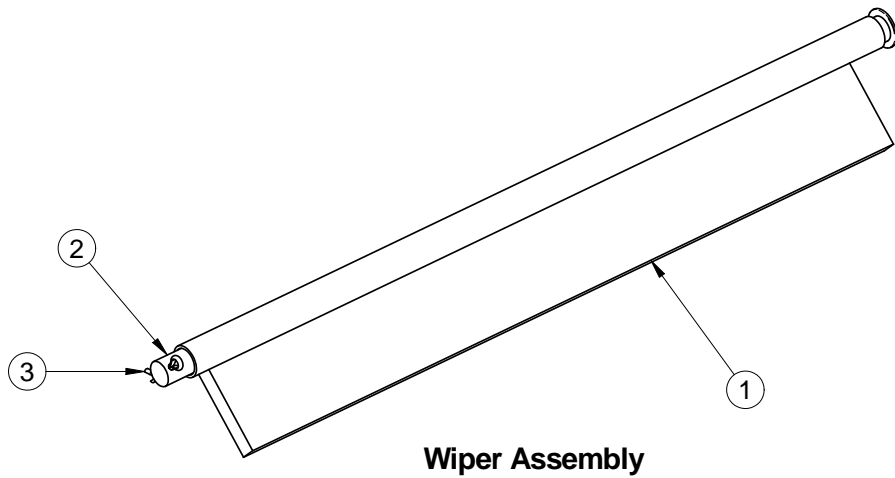
Item	Qty	Harris Part Number	Description
1	1	880203	Laser mount
2	1	880202	Laser
3	1	880236	Cable (not shown)



**HP-8160 HOLDDOWN ASSEMBLY**

## PARTS LIST FOR HOLLDDOWN ASSEMBLY

<b>Item</b>	<b>Qty</b>	<b>Harris Part Number</b>	<b>Description</b>
1	2	1000007937	Holddown
2	18	869517	FHCS 1/2-13 x 3
3	18	804474	3/4 flat washer
4	18	804472	1/2 flat washer
5	18	101455005	1/2 lock nut



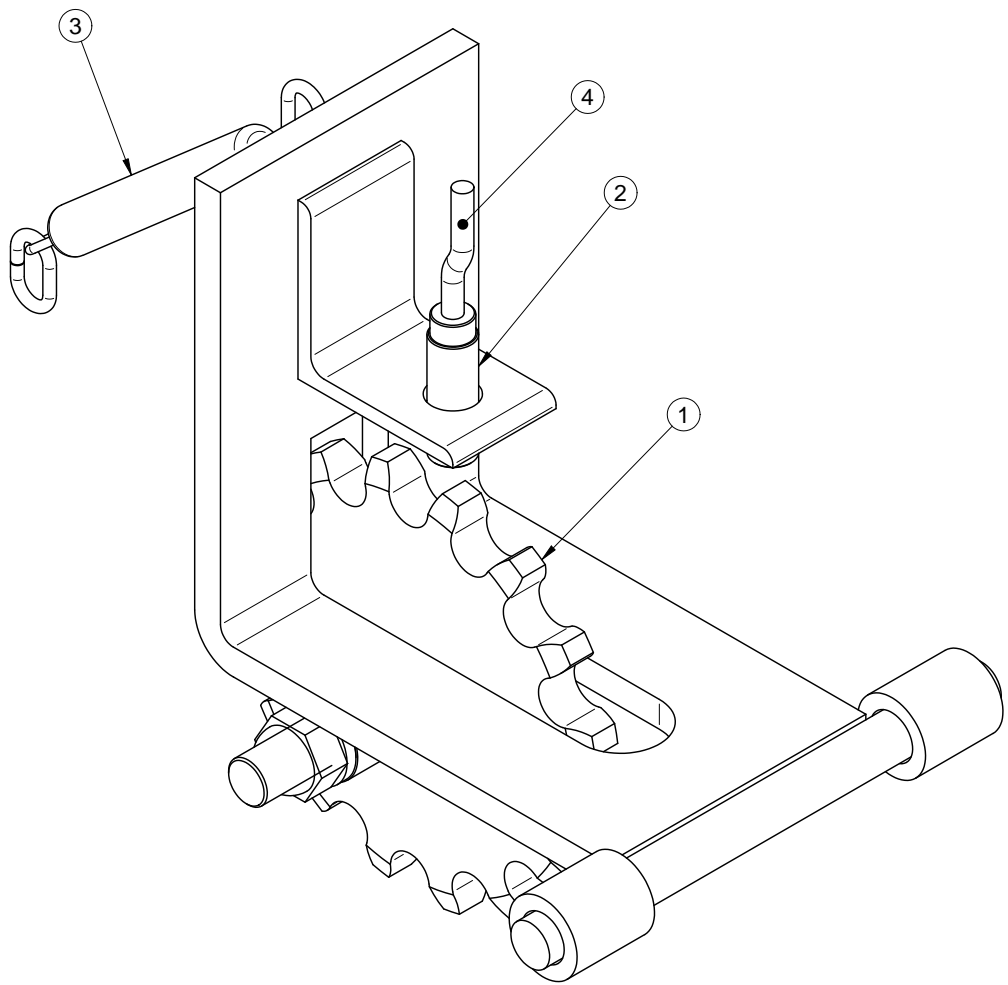
## HP-8160 HOPPER AND WIPER ASSEMBLY

### PARTS LIST FOR HP-8160 HOPPER ASSEMBLY

Item	Qty	Harris Part Number	Description
1	1	1000012263	Window
2	4	870300	BHCS #8-32 x 3/4
3	1	870079	Magnetic switch
4	8	870263	BHCS 1/2-20 x 3/4
5	1	870104	Castell Key

### PARTS LIST FOR HP-8160 WIPER ASSEMBLY

Item	Qty	Harris Part Number	Description
1	1	1000015013	Wiper
2	1	1000015014	Wiper pin
3	1	871436	Cotter pin

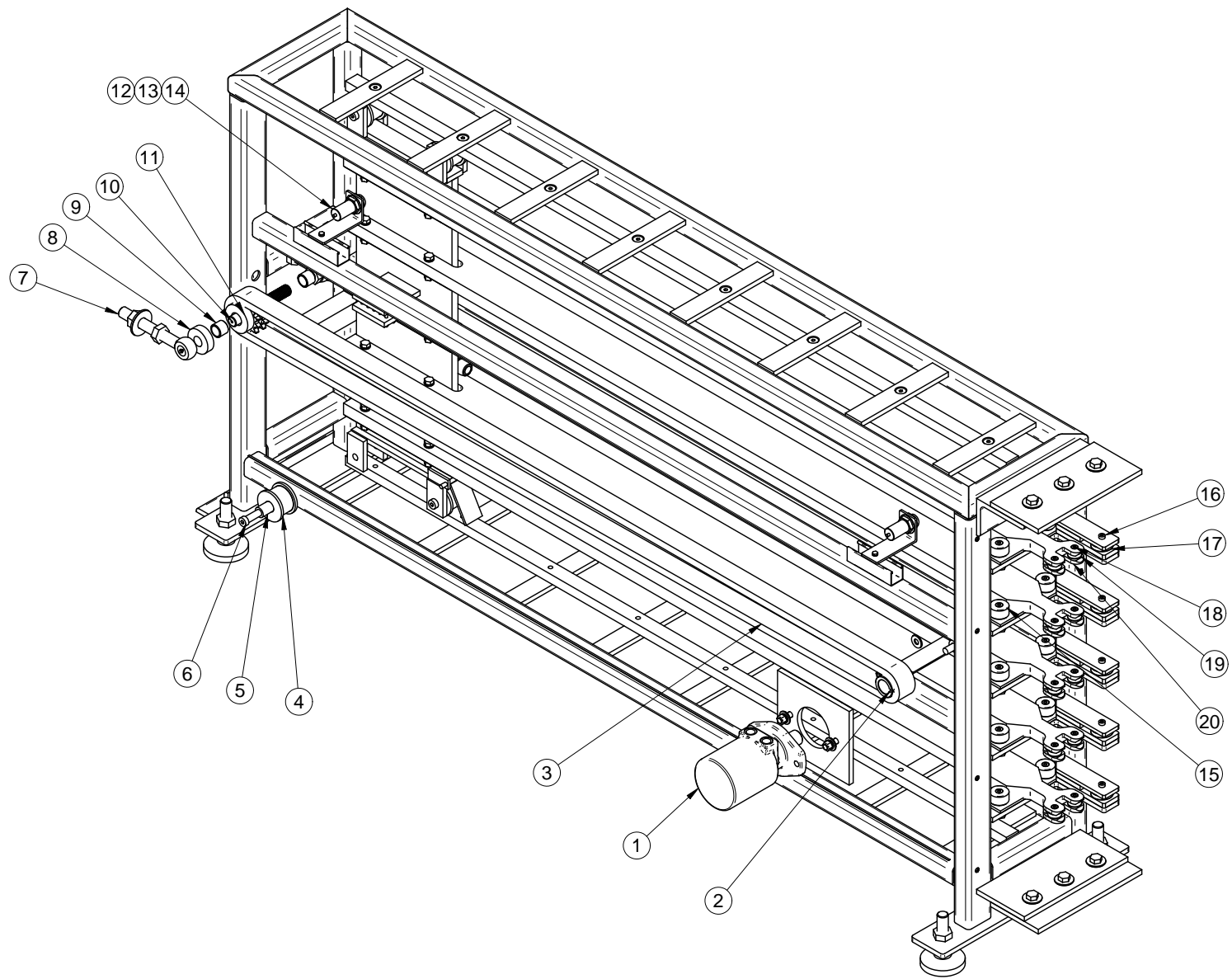


**BALE COUNTER ASSEMBLY**



## PARTS LIST FOR BALE COUNTER ASSEMBLY

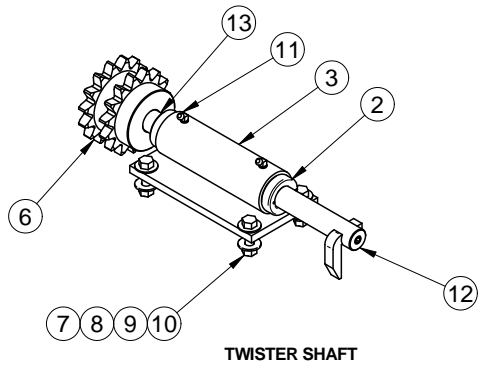
<b>Item</b>	<b>Qty</b>	<b>Harris Part Number</b>	<b>Description</b>
1	1	866685	Sprocket
2	1	858215	Prox switch
3	1	860354	Spring
4	1	868446	Prox cable



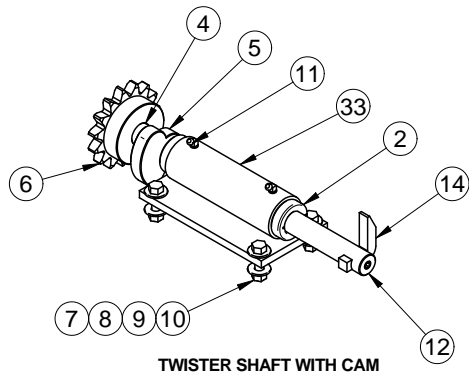
## HP INSERTER ASSEMBLY

## PARTS LIST FOR HP INSERTER ASSEMBLY

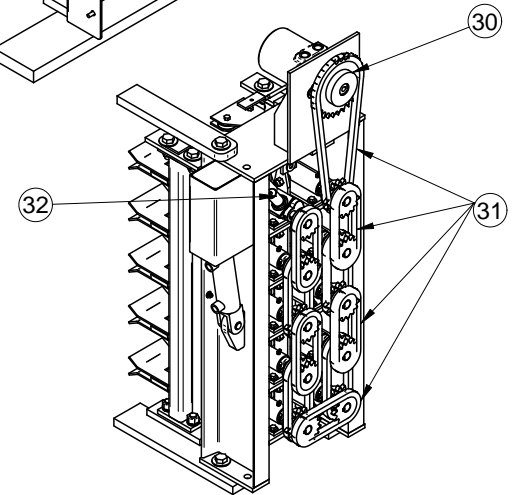
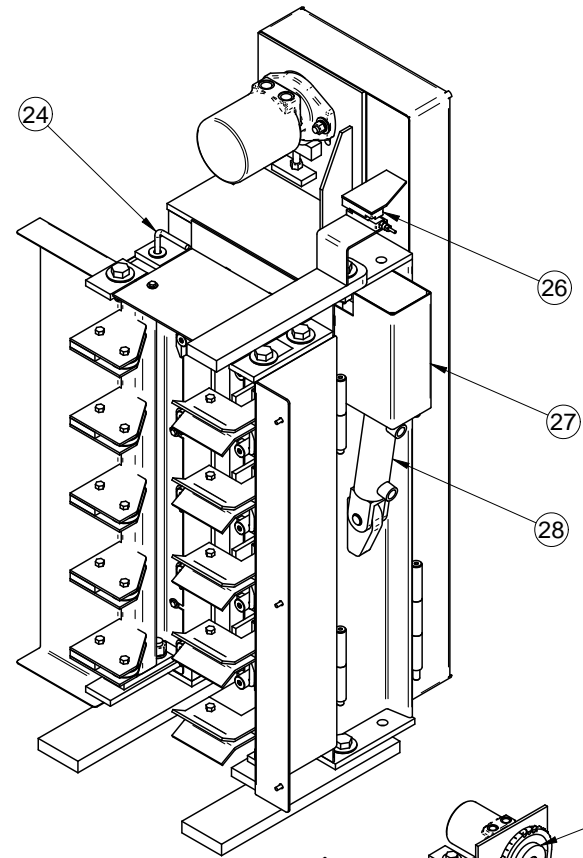
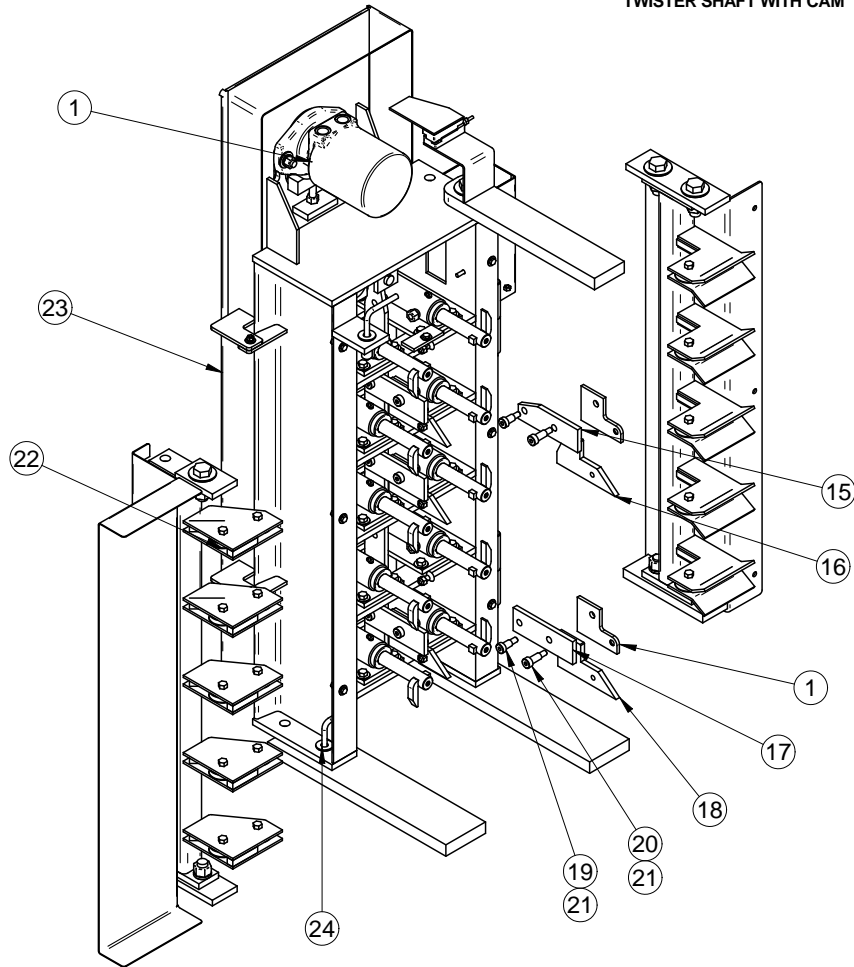
Item	Qty	Harris Part Number	Description
1	1	866308	Hydraulic motor
2	1	1000008777	Drive sprocket
3	1	860252	Drive chain
4	2	700006	Carriage wheel
5	2	860191	Carriage wheel bushing
6	2	870472	Carriage wheel bolt
7	2	1000008798	Rod end
8	1	1000011153	Sprocket spacer
9	2	868438	Idler bushing
10	1	1000008809	Idler sprocket shaft
11	1	860377	Idler sprocket
12	2	869425	Prox switch
13	2	1000012688	Prox switch mount
14	2	868446	Prox switch cable
15	10	871132	Cam follower
16	5	870440	Wire guide wheel bolt
17	5	700005	Wire guide wheel and bushing
18	10	1000010828	Insert head bolt
19	10	860571	Inserter head guide wheel
20	5	1000010823	Inserter arm
21	2	860349	Grease fitting



**TWISTER SHAFT**



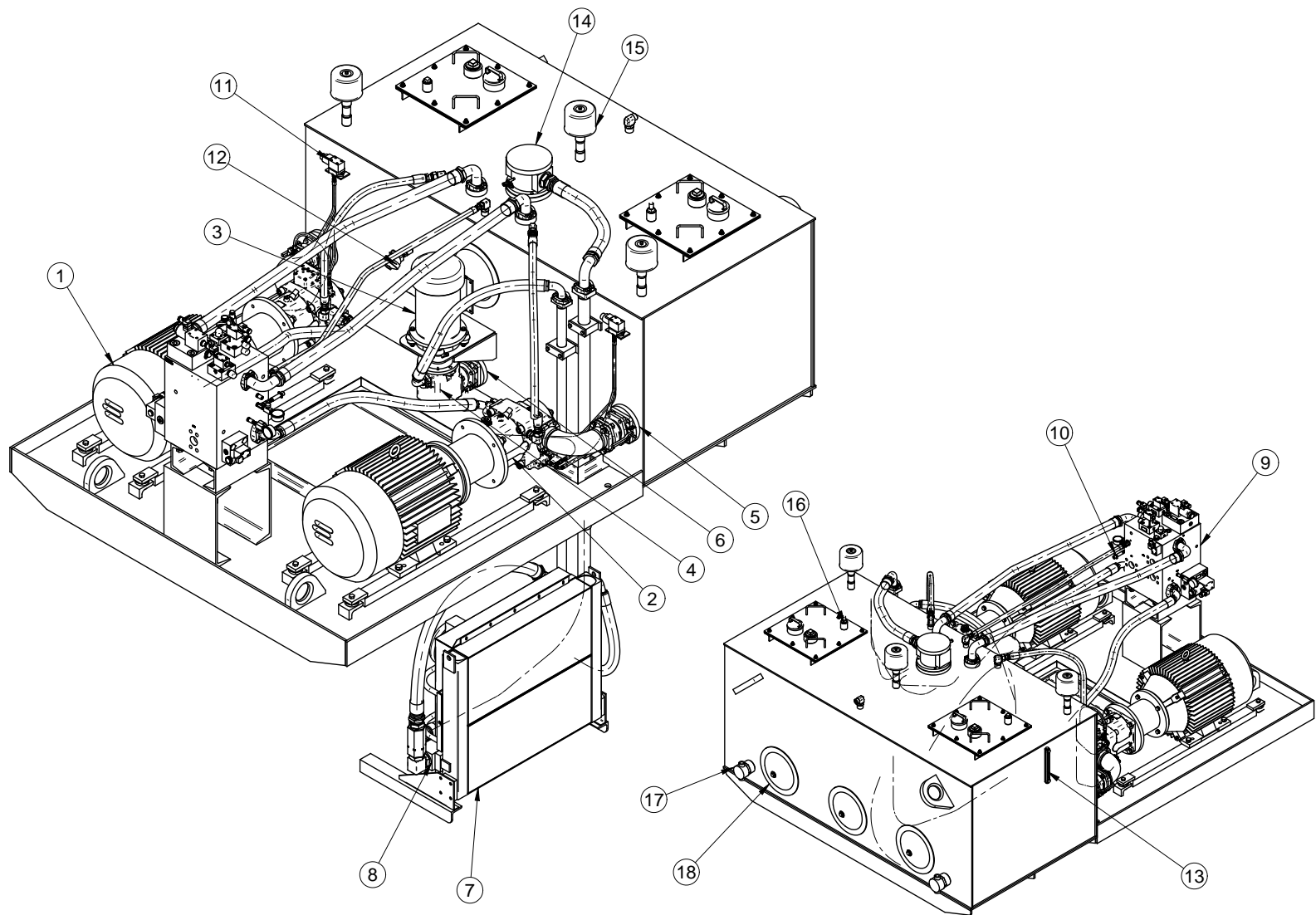
**TWISTER SHAFT WITH CAM**



**HP TWISTER ASSEMBLY**

## PARTS LIST FOR HP TWISTER ASSEMBLY

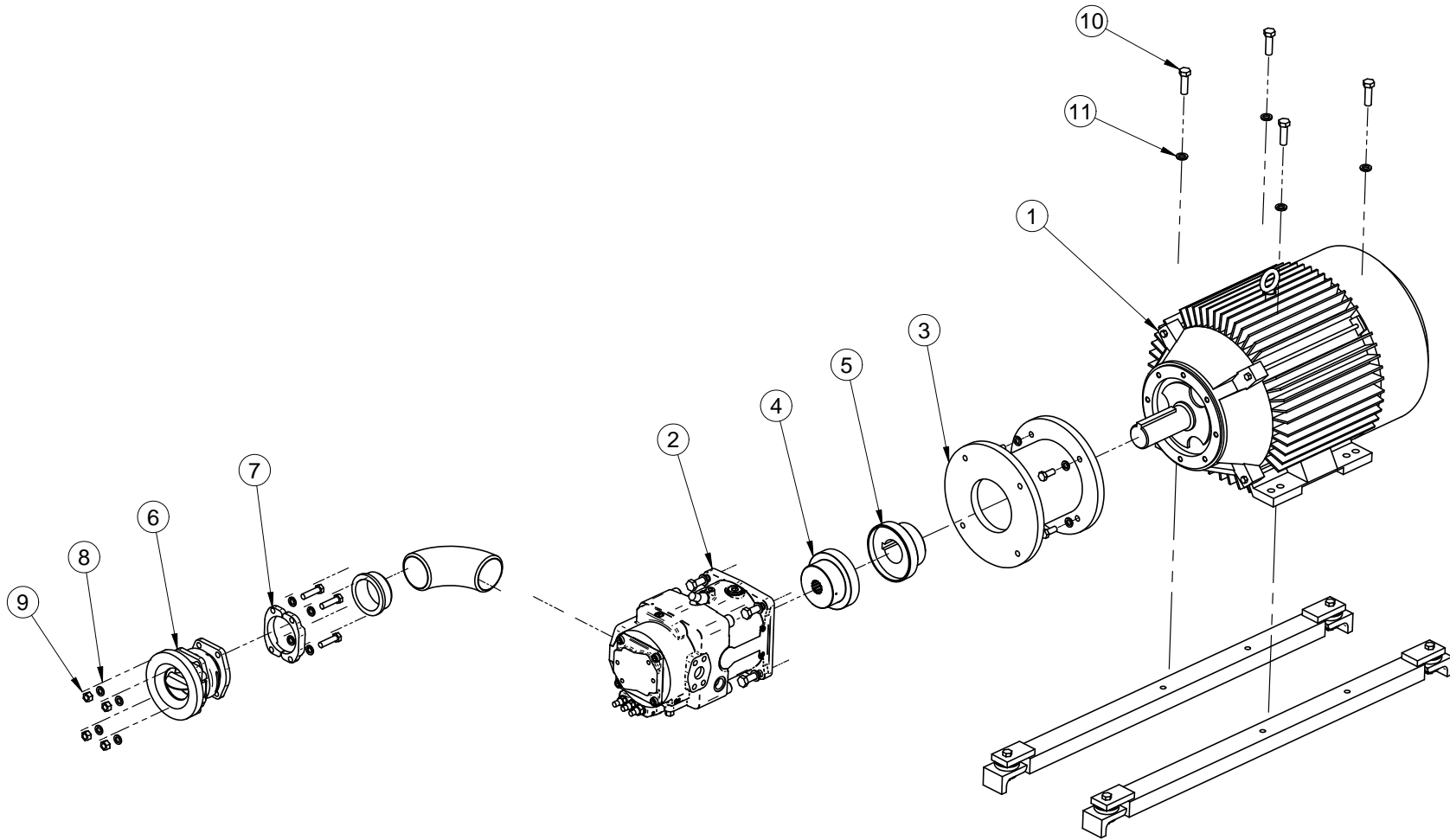
Item	Qty	Harris Part Number	Description
1	1	866308	Hydraulic motor
2	20	859901	Shaft collar
3	10	700000	Twister shaft assembly
4	1	502827.00125	Twister shaft with cam keystone
5	1	1000000506	Cam
6	19	860387	Sprocket
7	40	802291	HHCS 3/8-16 x 1.5
8	40	804718	3/8 nut
9	40	805058	3/8 lock washer
10	80	804470	3/8 flat washer
11	20	860349	Grease fitting
12	10	803362	SHCS 3/8-16 x 1/2
13	9	502827.00250	Twister shaft keystone
14	10	700007	Twister hook
15	2	700488	Top set upper knife
16	2	700491	Top set lower knife
17	8	700220	Bottom set upper knife
18	8	700221	Bottom set lower knife
19	20	869936	SHSS 1/2 x 3/4
20	20	869937	SHSS 1/2 x 1
21	40	804418	lock nut
22	15	700005	Insert side guide wheel
23	1	1000011587	Twister door assembly
24	1	1000000481	Quick release pin
26	1	870079	Magnetic switch
27	1	1000000455	Cylinder guard
28	1	869882	Cylinder
30	1	860765	Reducer drive sprocket
31	1	860269Kit	Riveted chain Kit
32	1	869425	Prox switch



**HP BALER 200HP HYDRAULIC POWER UNIT**

## PARTS LIST FOR 200HP HYDRAULIC POWER UNIT

Item	Qty	Harris Part Number	Description
1	2	859327	100hp motor
2	2	871003	Piston pump
3	1	860543	10hp motor
4	1	870885	Vane cooler pump
5	2	870624	4" suction unit
6	1	870881	3" suction unit
7	1	870883	Oil to air cooler
8	1	870862	Check valve
9	1	870658	Manifold
10	1	860666	Pressure transmitter
11	2	870628	Direction vent valve
12	1	869925	Resistance thermometer
13	1	870589	Sight level
14	1	870863	Hydraulic filter
14A	1	870926	Filter element
15	3	865942	Filter breather
16	2	857083	Float switch
17	2	870886	Oil heater
18	4	870918	Cleanout port cover

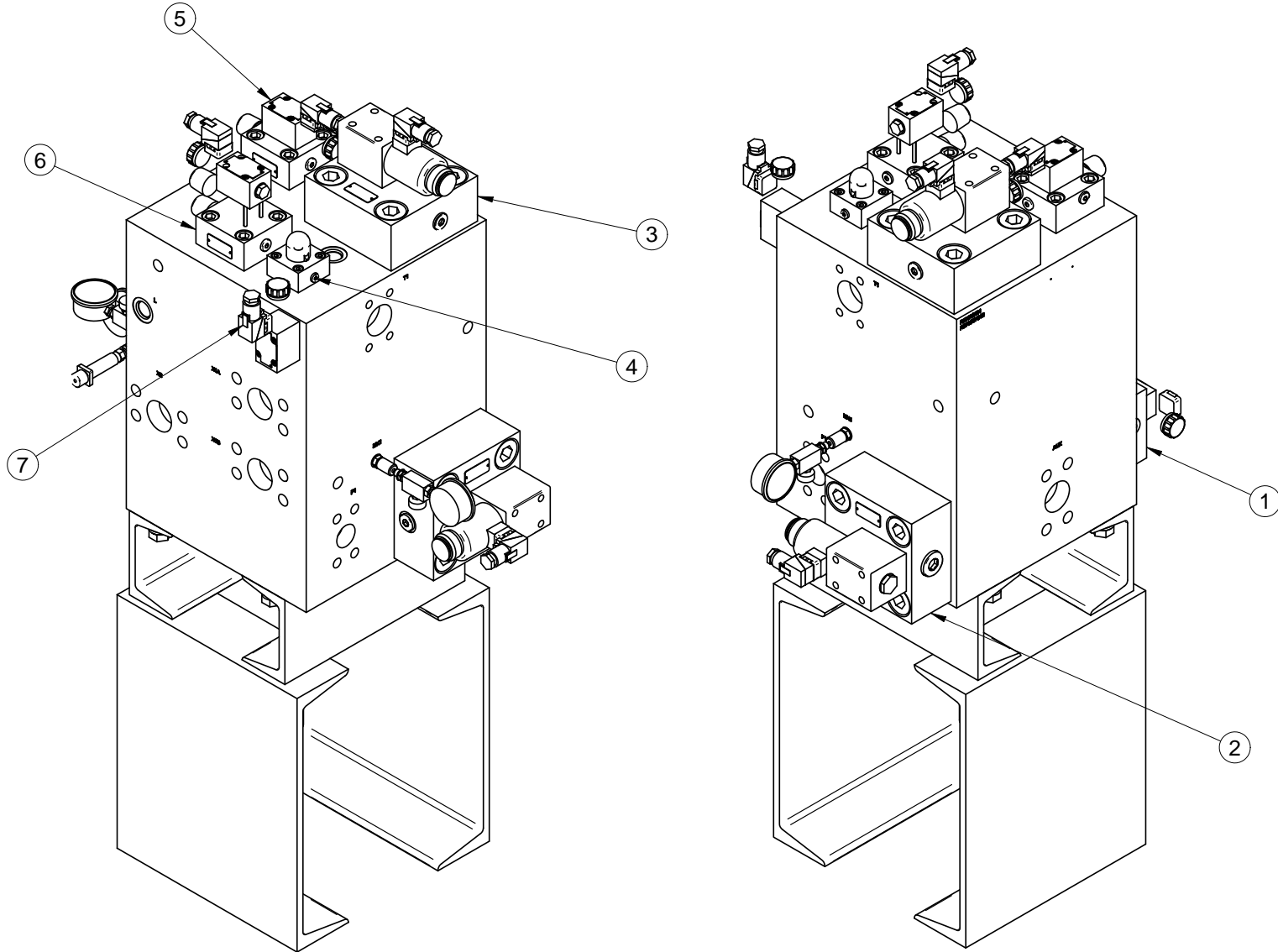


**HP BALER 100HP PUMP/MOTOR GROUP**



## PARTS LIST FOR 100HP PUMP/MOTOR GROUP

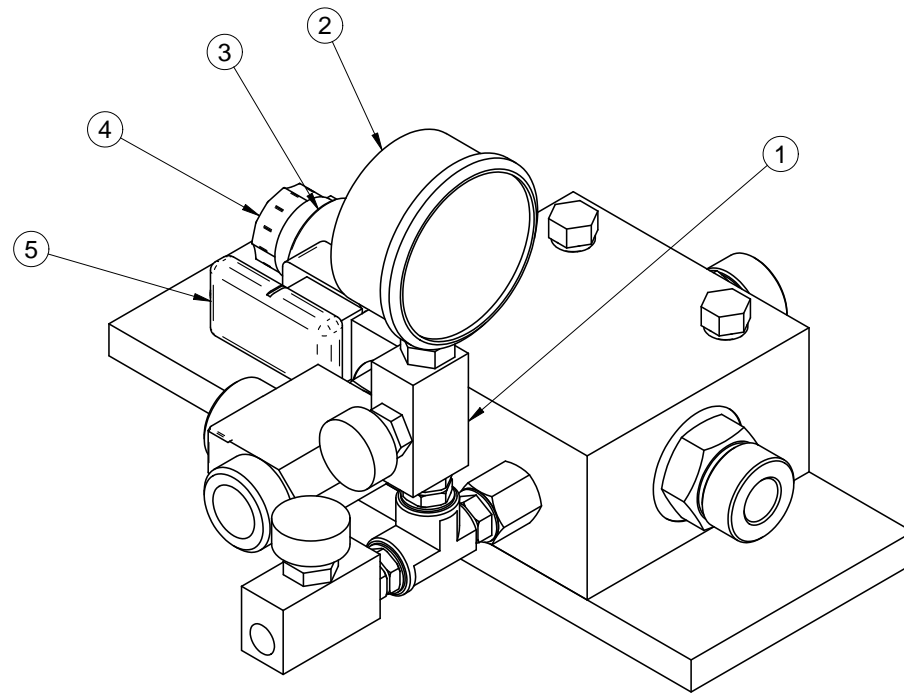
Item	Qty	Harris Part Number	Description
1	1	859327	100hp motor
2	1	871003	Piston pump
3	1	870872	Pump motor adapter
4	1	871004	Pump side coupling
5	1	868309	Motor side coupling
6	1	870624	4" suction unit
7	1	862983	Split flange with bolts and washers
8	12	805062	5/8 lock washer
9	4	804722	5/8 nut
10	4	802484	HHCS 3/4
11	8	805063	3/4 Lock washer
12	1	868817	Insert coupling (not shown)



**HP BALER 100HP HYDRAULIC MANIFOLD**

## PARTS LIST FOR 100HP HYDRAULIC MANIFOLD

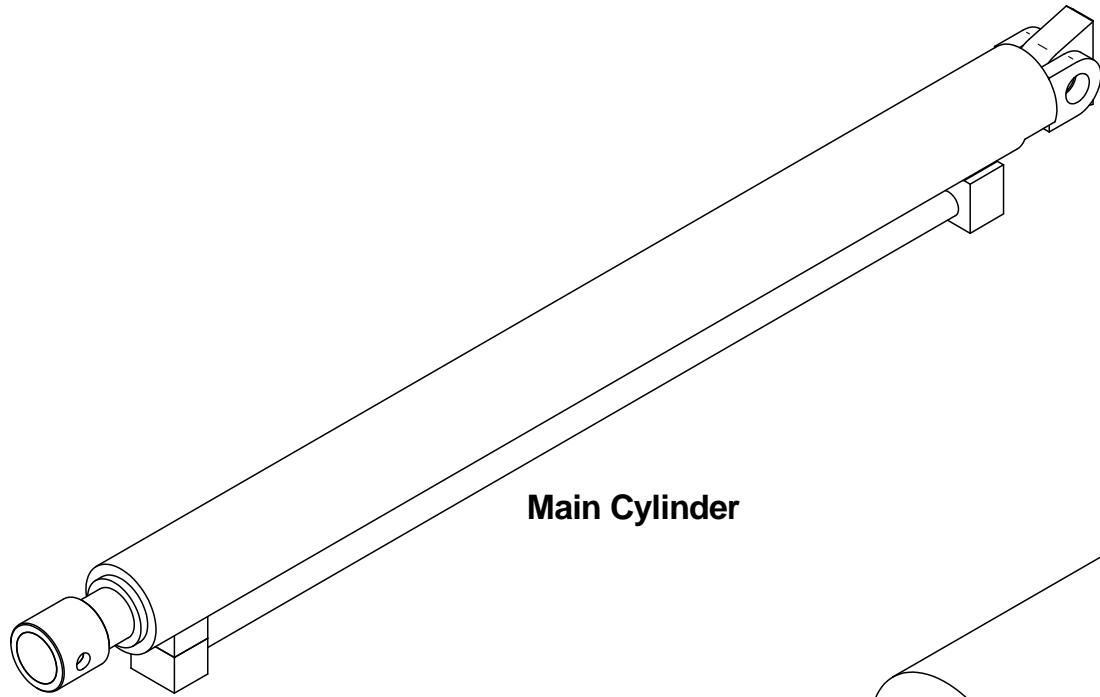
<b>Item</b>	<b>Qty</b>	<b>Harris Part Number</b>	<b>Description</b>
1	1	870949	Cartridge valve
2	1	870944	Cartridge valve
3	1	870946	Cartridge valve
4	1	870947	Cartridge valve
5	1	870945	Cartridge valve
6	1	870948	Cartridge valve
7	1	870943	Cartridge valve



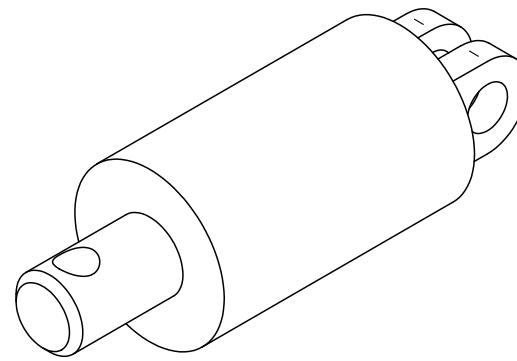
**HP TENSION MANIFOLD**

## PARTS LIST FOR HP TENSION MANIFOLD

<b>Item</b>	<b>Qty</b>	<b>Harris Part Number</b>	<b>Description</b>
1	3	870622	1/4 snubber
2	3	870623	Pressure guage
3	1	869483	Valve coil
4	1	867182	Cartridge valve
5	1	870982	Valve amplifier



**Main Cylinder**



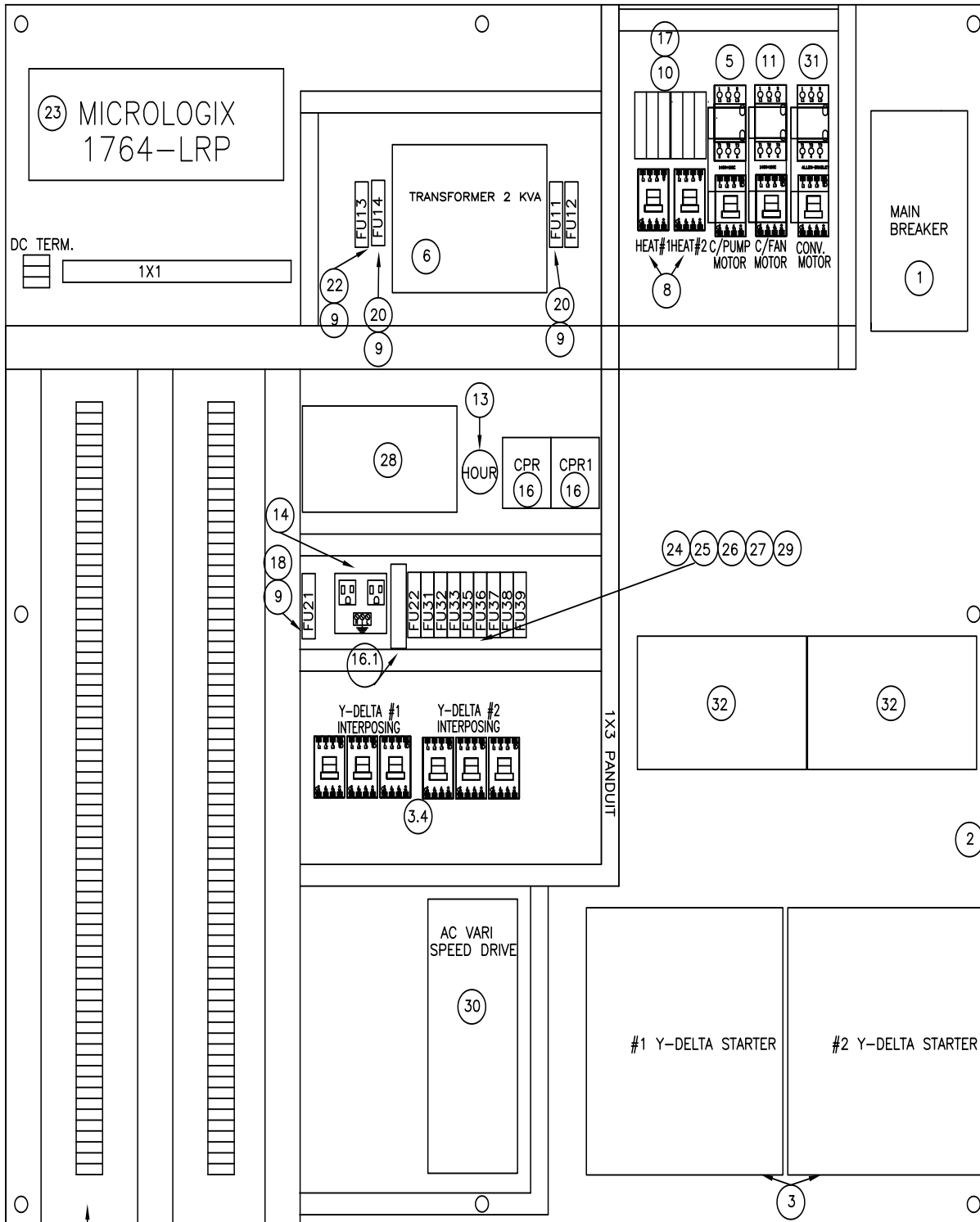
**Tension Cylinder**

**PARTS LIST FOR MAIN CYLINDER**

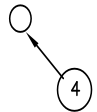
<b>Item</b>	<b>Qty</b>	<b>Harris Part Number</b>	<b>Description</b>
1	1	871345	Main cylinder
2	1	871405	Main cylinder seal kit

**PARTS LIST FOR TENSION CYLINDER**

<b>Item</b>	<b>Qty</b>	<b>Harris Part Number</b>	<b>Description</b>
1	1	870311	Tension cylinder
2	1	870783	Tension cylinder seal kit



ROTARY CONTROL POWER  
KEY SWITCH  
LOCATE 1' BELOW DISCONNECT  
HANDLE, 6" FROM RIGHT SIDE  
OF CONTROL PANEL DOOR

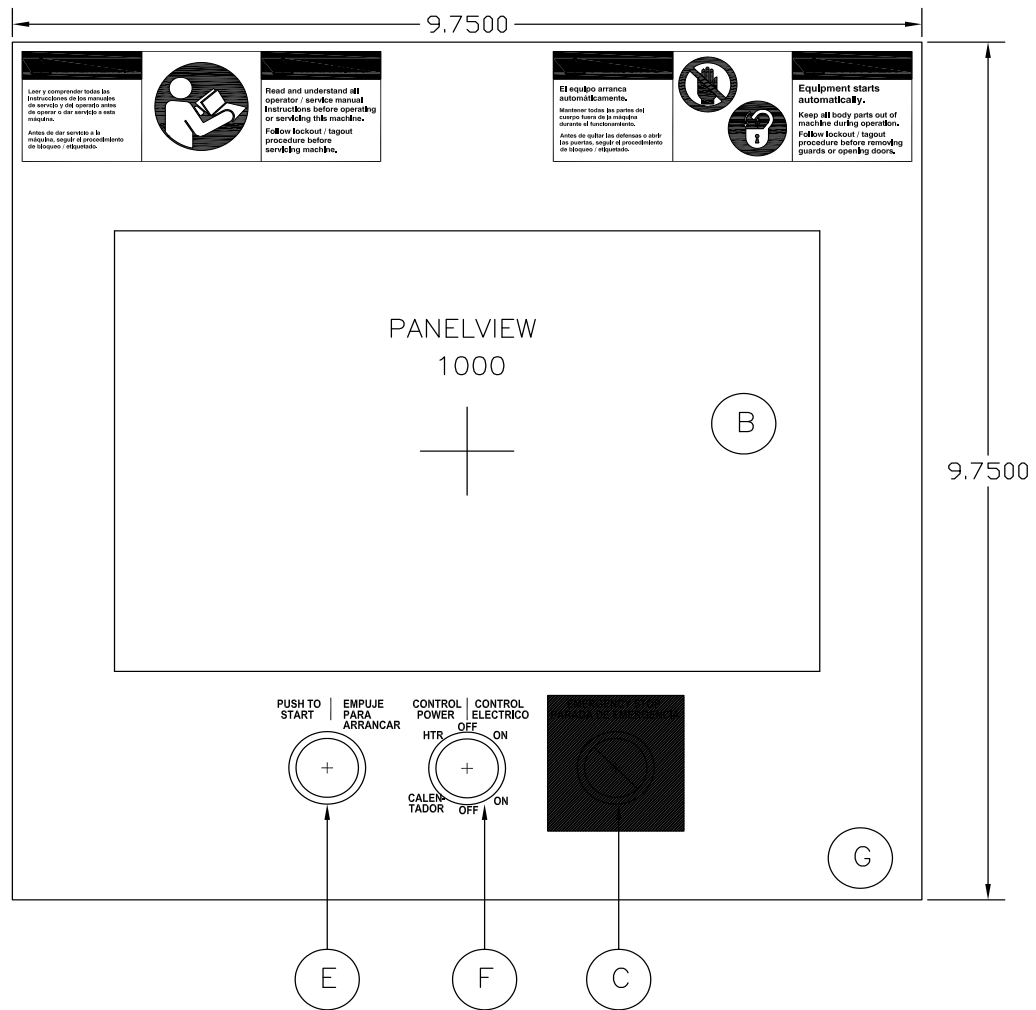


15 19



## PARTS LIST FOR MAIN CONTROL PANEL

ITEM	#QTY.	HARRIS PART NUMBER	DESCRIPTION
1	1	870239	BREAKER 400A FLNG MT & ACCS
2	1	868365	ENCL 60X61X12 FLNGMNT W/ BACK PLATE
3	6	869427	CONTACTOR IEC 72 AMP
3.1	2	868890	CONTACTOR IEC OL 18-90 ADJ
3.2	2	868994	CONTACTOR, 117A, Y-DELTA
3.3	2	868895	CONTACTOR, Y-DELTA, MECH
3.4	6	869155	CONTACTOR, IEC, 9A, 24VDC
4	1	870528	SWITCH ROTARY KEY CODE
5	1	869157	CONTACTOR IEC 16 AMP 24VDC COIL
5.1	1	869046	CONTACTOR 140M MTR PROT. 10-16
5.2	1	869049	CONTACTOR FRONT MOUNT AUX. CONTACT
6	1	870332	TRANSFORMER 2 KVA
7	1	870101	PB E-STOP MAIN 2-NC 1-NO
-	-	-	
8	2	869155	CONTACTOR IEC 9 AMP 24VDC COIL
9	5	868618	FUSE HOLDER, 1P, NEON, CC CLASS, 30 AMP
10	6	866042	10 AMP FUSE
11	1	869155	CONTACTOR IEC 9 AMP 24VDC COIL
11.1	1	869043	CONTACTOR 140M MTR PROT. 2.5-4.0 AMP
11.2	1	869049	CONTACTOR FRONT MOUNT AUX. CONTACT
13	1	869147	HOUR METER (HOBBS #85097-02)
14	1	869285	RECEPTACLE
15	28	868672	FUSED TERMINAL BLOCKS
15.1	28	868678	2 AMP FUSES 1/4 X 1 1/4
16	2	870663	RELAY 4 POLE 7 N.O. & 1 N.C. CONTACTS
16.1	1	870267	RELAY SAFETY MONITORING
17	2	870391	FUSE HOLDER, 3P, NEON, CC CLASS, 30 AMP
18	1	869808	FUSE, 15 AMP
19	170	858332	TERMAINAL BLOCKS
19.1	10	858323	TERMINAL BLOCK ANCHORS
19.2	7	858333	TERMINAL BLOCK END BARRIERS
19.3	4	858326	TERMINAL BLOCK CHANNEL MOUNT
19.4	1	868673	TERMINAL BLOCK BARRIERS
20	4	868680	FUSE 10 AMP
21	9	870436	FUSE HOLDER, 1P, LED, CC CLASS, 30 AMP
22	1	866041	FUSE 20 AMP
23	1	868924	SLC-1500 MICROLOGIX PROCESSOR
23.1	1	870397	SLC-1500 MICROLOGIX BASE UNIT
23.2	1	869267	SLC-1500 MICROLOGIX 16 BIT DC INPUT CARD
23.3	1	869889	SLC-1500 MICROLOGIX 16 BIT RELAY OUT. CARD
23.4	1	868928	SLC-1500 MICROLOGIX RIGHT HAND END CAP
23.5	1	870998	SLC-1500 MICROLOGIX MEMORY MODULE
23.6	1	870664	SLC-1500 MICROLOGIX ANALOG CARD
23.6	1	871414	SLC-1500 MICROLOGIX S STATE OUTPUT CARD
24	3	868732	FUSE 1 AMP
25	1	858238	FUSE 2 AMP
26	1	868680	FUSE 3 AMP
27	3	858231	FUSE 6 AMP
28	1	870396	20 AMP 120AC TO 24DC POWER SUPPLY
29	1	866042	FUSE 10 AMP
30	1	870962	DRIVE VAR AC
31	1	870096	CONTACTOR IEC 43 AMP 24VDC COIL
31.1	1	869049	CONTACTOR 140M FRONT MT
31.2	1	869075	CONTACTOR 140M MOTOR PROTECTOR
31.2	1	869927	CONTACTOR 140M TERMINAL ADAPTER
32	2	869897	FUSE HOLDER 200 AMP TRI CLASS J
32.1	6	869620	FUSE 200 AMP CLASS J



## OPERATOR CONSOLE

## PARTS LIST FOR OPERATOR CONSOLE

ITEM	#QTY.	HARRIS PART NUMBER	DESCRIPTION
A	1	868602	ENCL 20X20X8 W/BP
B	1	870662	PANELIEW PLUS 1000
C	1	870101	PB E-STOP MAIN 2-NC 1-NO
E	1	869144	PUSH BUTTON WHITE ILL.1-NO CONTACT
F	1	870666	3 POSTION KEYED SEL SWITCH 2-NO/2-NC
G	1	870711	AUTO TIE OVERLAY

## RECOMMENDED SPARE PARTS LIST

Item	Qty	Harris Part Number	Description
1	10	868678	2 Amp, 600vac, fuse
2	5	700007	Twister hook
3	2	869425	Prox switch 30mm
4	2	869426	Prox switch 18mm
5	1	858939	Pressure switch
6	1	860435	Pressure guage
7	1	868767	Sight glass
8	5	700005	Wire guide wheel and bushing
9	5	860571	Insertor head guide wheel
10	5	700001	Twister shaft
11	1	70491	Twister stationary top knife
12	1	700488	Twister pivot top knife
13	4	700221	Twister stationary knife
14	4	700220	Twister pivot knife
15	2	860354	Spring
16	1	859251	Suction strainer
17	2	870727	Return liner filter element
18	1	868695	Transmitter photocell control
19	1	868696	Receiver photocell control
20	1	868106	Breather element





**HARRIS**

**Baxley Operations**  
340 Jekyll Road  
Baxley, GA 31513

**(800) 447-3526**

[www.harrisequip.com](http://www.harrisequip.com)